

2021 Worksheet 7

Year 11 Applied Mathematics

Write the answers in your Exercise Book.

1. Find the equation of the **inverse** relation for each of the following.

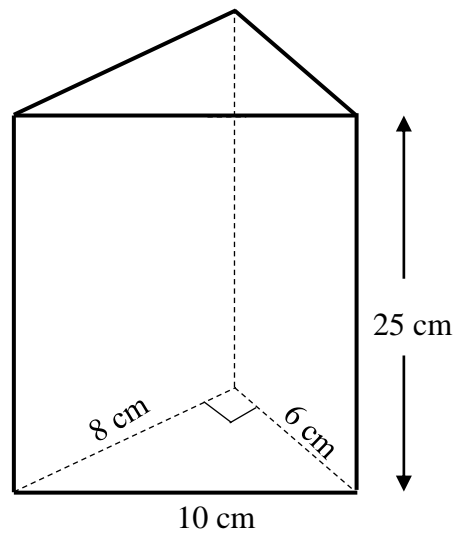
(a) $y=2x$ (1 mark)

(b) $y=3x-8$ (1 mark)

(c) $2y-3x=9$ (1 mark)

(d) $y=5$ (1 mark)

2. A **triangular prism** is shown below.



(a) Calculate the **volume** of this prism in cm^3 . (2 marks)

(b) What is the total **surface area** of the prism? (2 marks)